





Suspended elegance



Perfect diffusion

RIM 4404 / 4404B

PROJECT PROJET
SPEC TYPE
NOTES

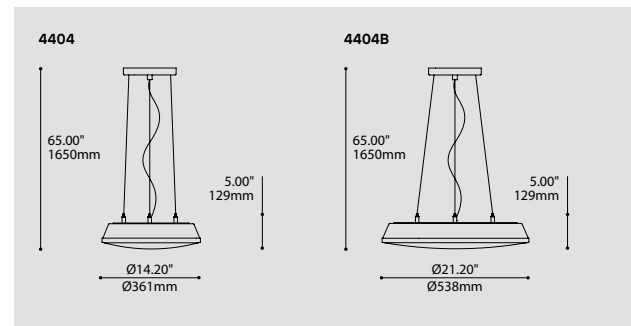


FAMILY FAMILLE



4704 (CEILING SURFACE)

4704 (WALL SURFACE)



ORDERING SPECIFICATION	SPÉCIFICATION DE COMMANDE	CODE
MODEL MODÈLE		
4404	RIM 14"	
4404B	RIM 21"	
LIGHT SOURCE SOURCE LUMINEUSE		
4404		
LED.10	10W, LED	
4404B		
LED.24	24W, LED	
COLOR TEMPERATURE TEMPÉRATURE DE COULEUR ^(A)		
27*	2700K	
30	3000K	
35	3500K	
40	4000K	
* LONGER LEAD TIME MAY APPLY. PLEASE CONTACT YOUR EUREKA REPRESENTATIVE		
COLOR RENDERING INDEX (CRI) INDICE DE RENDU DE COULEUR (IRC) ^(B)		
80	80+ CRI	
90*	90+ CRI	
* LONGER LEAD TIME MAY APPLY. PLEASE CONTACT YOUR EUREKA REPRESENTATIVE		
VOLTAGE VOLTAGE		
120V	120 VOLT	
277V	277 VOLT	
* ONLY AVAILABLE WITH F.T5.C.22 & F.T5.C.2240		
DIMMING OPTION OPTION DE GRADATION ^(C)		
DV	0-10V DIMMING (120V-277V)	
DP	PHASE DIMMING (120V ONLY)	
LED DIMMING DRIVER IS STANDARD IN THIS PRODUCT. PLEASE SPECIFY YOUR DIMMING TYPE		
EMERGENCY BATTERY BATTERIE D'URGENCE		
EM*	EMERGENCY BATTERY INSIDE LUMINAIRE	
* ONLY AVAILABLE WITH LED NON-DIMMING AND DIMMING DP ONLY		
CABLE CÂBLE		AC
AC	AIRCRAFT MOUNTING & CLEAR CABLE, FIELD ADJUSTABLE	
CABLE LENGTH LONGUEUR DE CÂBLE		
60	60" AIRCRAFT CABLE (STD LENGTH)	
**	CUSTOM AIRCRAFT CABLE LENGTH (PLEASE SPECIFY)	
FOR OVERALL LENGTH, PLEASE CONTACT YOUR EUREKA REPRESENTATIVE		
STRUCTURE FINISH FINI STRUCTURE		WH
WH	WHITE	
DIFFUSER FINISH FINI DIFFUSEUR		WH
WH	WHITE	
RING FINISH FINI ANNEAU		CHR
CHR	CHROME	

PRODUCT CHARACTERISTICS CARACTÉRISTIQUES DU PRODUIT

BIM **DIM** **EM** **IES** **LED**

DESIGN:	Stylish all-rounder highlighted by a sparkling metal band. Rim offers smooth direct / indirect illumination.
LIGHT SOURCE:	Dimmable bespoke LED engines. EM option is available.
STRUCTURE:	Spun steel back plate with highly reflective white polyester powder coat finish and chrome plated trim ring.
DIFFUSER:	Thermoformed, white translucent PMMA with flex-fit attachment for easy access.
CERTIFIED:	c-CSA-us, c-UL-us
CONCEPTION:	Un passe-partout stylisé serti d'une bande métallique étincelante. Rim offre un éclairage diffus direct / indirect.
SOURCE LUMINEUSE:	Module DEL à gradation conçu sur mesure. Version d'urgence offerte en option.
STRUCTURE:	Plaque arrière d'acier repoussé avec peinture électrostatique à base de polyester et anneau décoratif plaqué chrome.
DIFFUSEUR:	Acrylique translucide blanc thermoformé avec installation facile par encliquetage.
CERTIFIÉ:	c-CSA-us, c-UL-us

RIM 4704 / 4704B

PROJECT PROJET
SPEC TYPE
NOTES

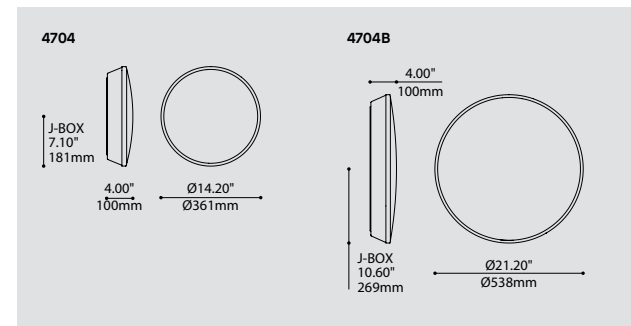


FAMILY FAMILLE



4404

4704 (CEILING SURFACE)



ORDERING SPECIFICATION	SPÉCIFICATION DE COMMANDE	CODE
MODEL MODÈLE		
4704	RIM 14"	
4704B	RIM 21"	
LIGHT SOURCE SOURCE LUMINEUSE		
4704		
LED.10	10W, LED	
4704B		
LED.24	24W, LED	
COLOR TEMPERATURE TEMPÉRATURE DE COULEUR ^(A)		
27*	2700K	
30	3000K	
35	3500K	
40	4000K	
* LONGER LEAD TIME MAY APPLY. PLEASE CONTACT YOUR EUREKA REPRESENTATIVE		
COLOR RENDERING INDEX (CRI) INDICE DE RENDU DE COULEUR (IRC) ^(B)		
80	80+ CRI	
90*	90+ CRI	
* LONGER LEAD TIME MAY APPLY. PLEASE CONTACT YOUR EUREKA REPRESENTATIVE		
VOLTAGE VOLTAGE		
120V	120 VOLT	
277V	277 VOLT	
DIMMING OPTION OPTION DE GRADATION ^(C)		
DV	0-10V DIMMING (120V-277V)	
DP	PHASE DIMMING (120V ONLY)	
LED DIMMING DRIVER IS STANDARD IN THIS PRODUCT. PLEASE SPECIFY YOUR DIMMING TYPE		
EMERGENCY BATTERY BATTERIE D'URGENCE		
EM*	EMERGENCY BATTERY INSIDE LUMINAIRE	
* ONLY AVAILABLE WITH LED NON-DIMMING AND DIMMING DP ONLY		
STRUCTURE FINISH FINI STRUCTURE		WH
WH	WHITE	
DIFFUSER FINISH FINI DIFFUSEUR		WH
WH	WHITE	
RING FINISH FINI ANNEAU		CHR
CHR	CHROME	

PRODUCT CHARACTERISTICS CARACTÉRISTIQUES DU PRODUIT

ADA **BIM** **DIM** **EM** **IES** **LED**

DESIGN:	Stylish all-rounder highlighted by a sparkling metal band. Rim offers smooth direct / indirect illumination.
LIGHT SOURCE:	Dimmable bespoke LED engines. EM option is available.
STRUCTURE:	Spun steel back plate with highly reflective white polyester powder coat finish and chrome plated trim ring.
DIFFUSER:	Thermoformed, white translucent PMMA with flex-fit attachment for easy access.
CERTIFIED:	c-CSA-us, c-UL-us
CONCEPTION:	Un passe-partout stylisé serti d'une bande métallique étincelante. Rim offre un éclairage diffus direct / indirect.
SOURCE LUMINEUSE:	Module DEL à gradation conçu sur mesure. Version d'urgence offerte en option.
STRUCTURE:	Plaque arrière d'acier repoussé avec peinture électrostatique à base de polyester et anneau décoratif plaqué chrome.
DIFFUSEUR:	Acrylique translucide blanc thermoformé avec installation facile par encliquetage.
CERTIFIÉ:	c-CSA-us, c-UL-us

Anatomy

BIM

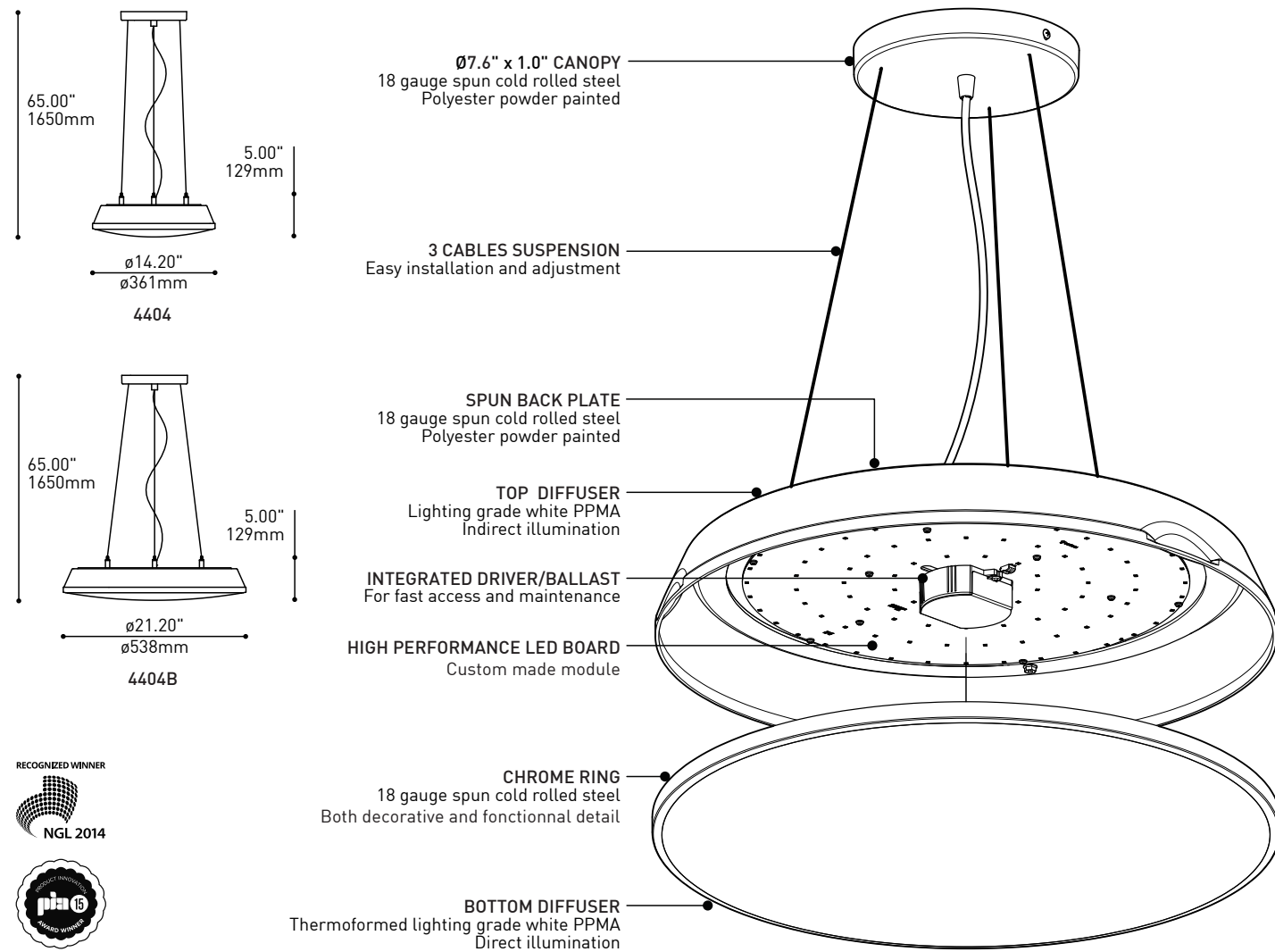
EM

IES

LED

DIM

RIM



SPECIFICATIONS

	LED 4404	LED 4404B
LIGHT SOURCE	44 x NICHIA - total ±11W	96 x NICHIA - total ±24W
MODULE	UL recognized - made in USA	UL recognized - made in USA
LUMENS (DELIVERED)	1055 lm	2547 lm
CRI	80+ CRI or 90+ CRI	80+ CRI or 90+ CRI
CCT	2700K, 3000K, 3500K or 4000K 3-step	MacAdam ellipse
STRUCTURE	Die-spun steel structure	Die-spun steel structure
HEATSINK	16 ga Aluminum	16 ga Aluminum
LIGHT DISTRIBUTION	Direct-Indirect	Direct-Indirect
DIFFUSER	White PPMA	White PPMA
VOLTAGE	120 or 120-277V	120 or 120-277V
BALLAST	N/A	N/A
DIMMING DV	350 mA 0-10V Dim (120-277V)	700 mA 0-10V Dim (120-277V)
DIMMING DP	350 mA Phase Dim (120V)	700 mA Phase Dim (120V)
EMERGENCY	Integrated Emergency Battery	Integrated Emergency Battery
LM-79 & ROHS	On request & Compliant	On request & Compliant
WARRANTY	5 years (on electronic components)	5 years (on electronic components)

Anatomy

BIM

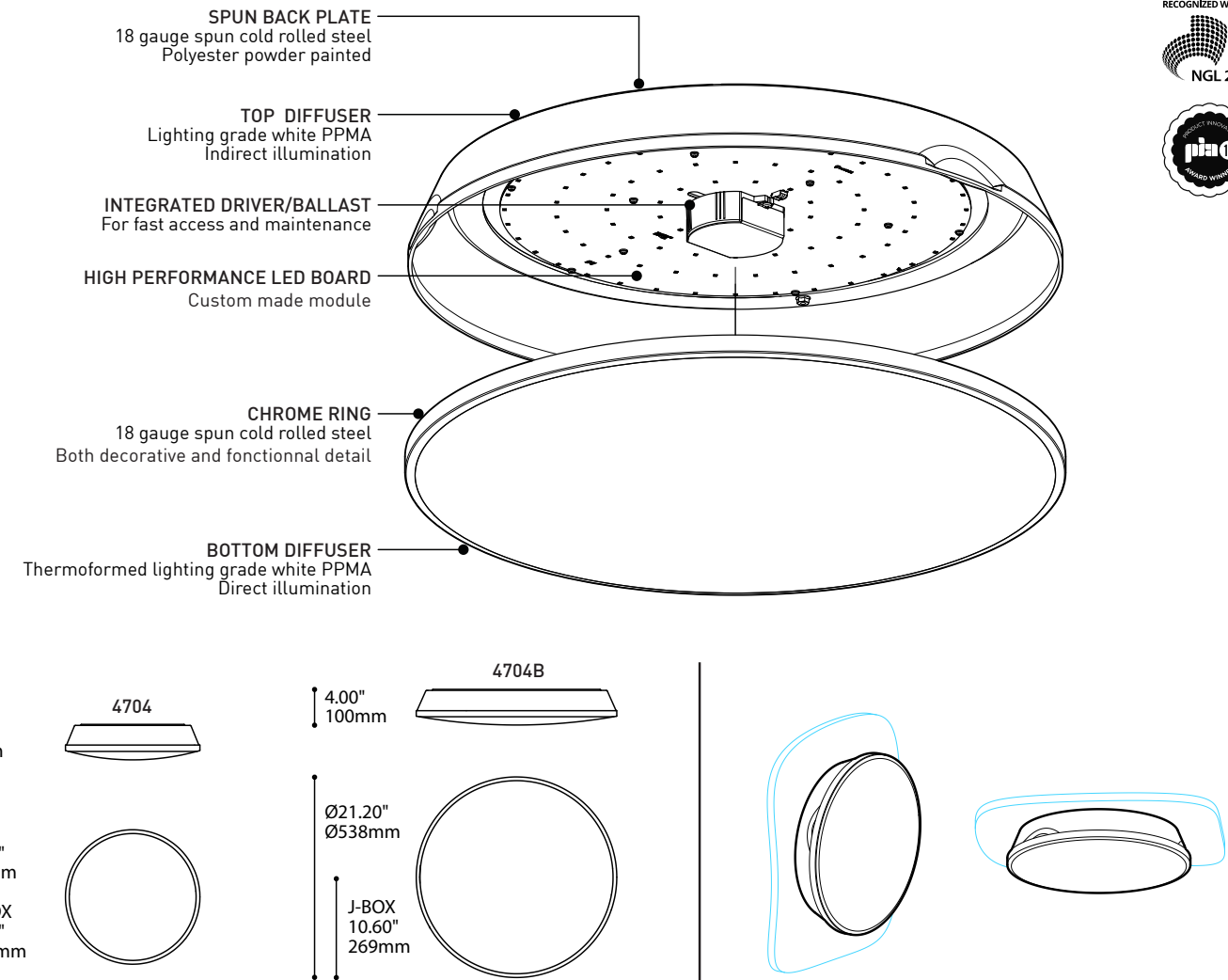
EM

IES

LED

DIM

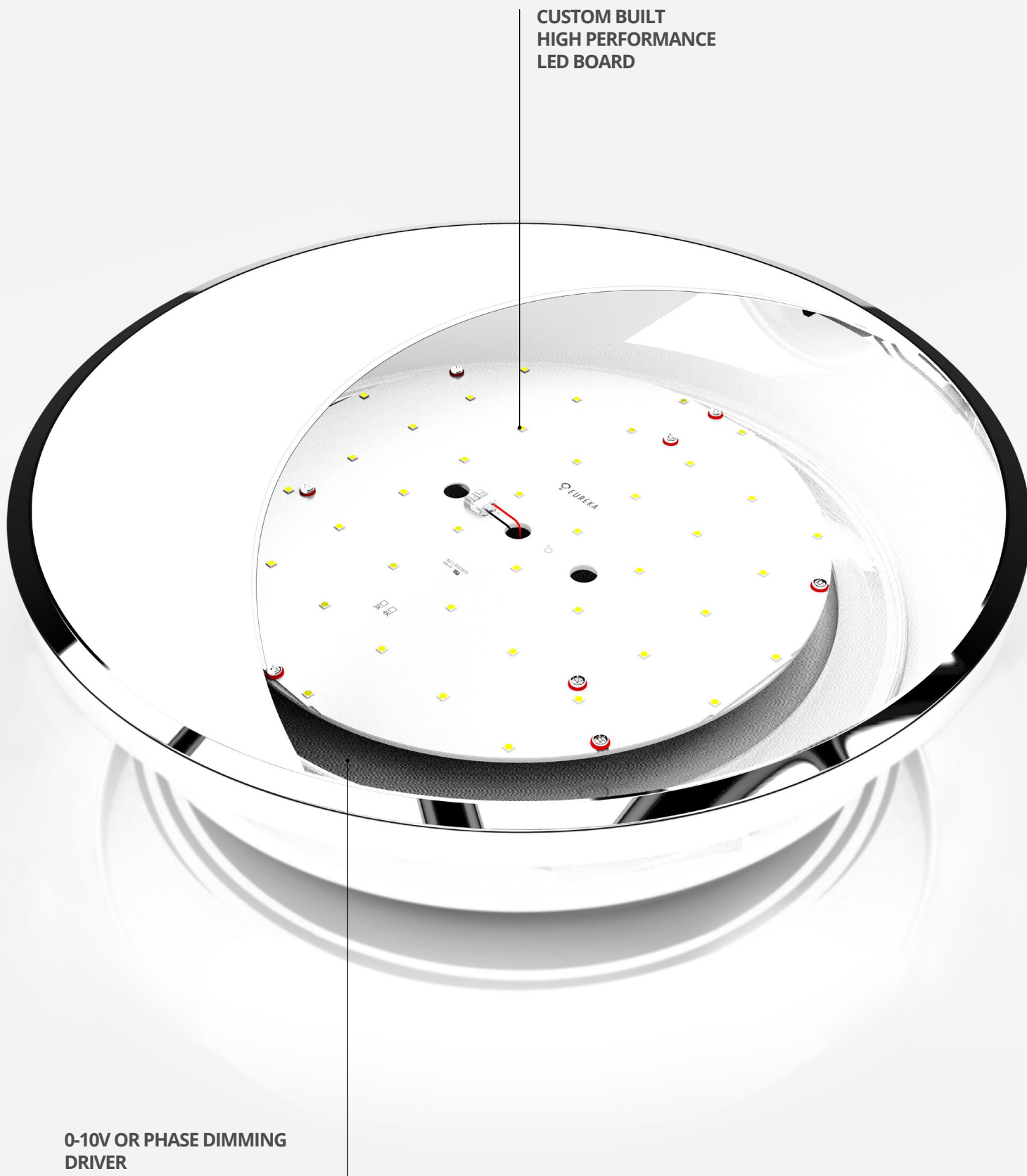
RIM



SPECIFICATIONS

	LED 4704	LED 4704B
LIGHT SOURCE	44 x NICHIA - total ±10W	96 x NICHIA - total ±25W
MODULE	UL recognized - made in USA	UL recognized - made in USA
LUMENS (DELIVERED)	1055 lm (4000K)	2547 lm (4000K)
CRI	80+ CRI or 90+ CRI	80+ CRI or 90+ CRI
CCT	2700K, 3000K, 3500K or 4000K 3-step	MacAdam ellipse binning
STRUCTURE	Die-spun steel structure	Die-spun steel structure
LIGHT DISTRIBUTION	Direct-Indirect	Direct-Indirect
DIFFUSER	White PPMA	White PPMA
VOLTAGE	120 or 120-277V	120 or 120-277V
BALLAST	N/A	N/A
DIMMING DV	350 mA 0-10V Dim (120-277V)	700 mA 0-10V Dim (120-277V)
DIMMING DP	350 mA Phase Dim (120V)	700 mA Phase Dim (120V)
EMERGENCY	Integrated Emergency Battery	Integrated Emergency Battery
LM-79 & ROHS	On request & Compliant	On request & Compliant
WARRANTY	5 years (on electronic components)	5 years (on electronic components)

Photometric Report



4X04-LED.11

CCT (K):	4000
Delivered Lumens (lm):	1055
System wattage (W)*:	13.5
Distribution:	Direct
Delivered Efficacy (lm/W):	78
Photometric type	C

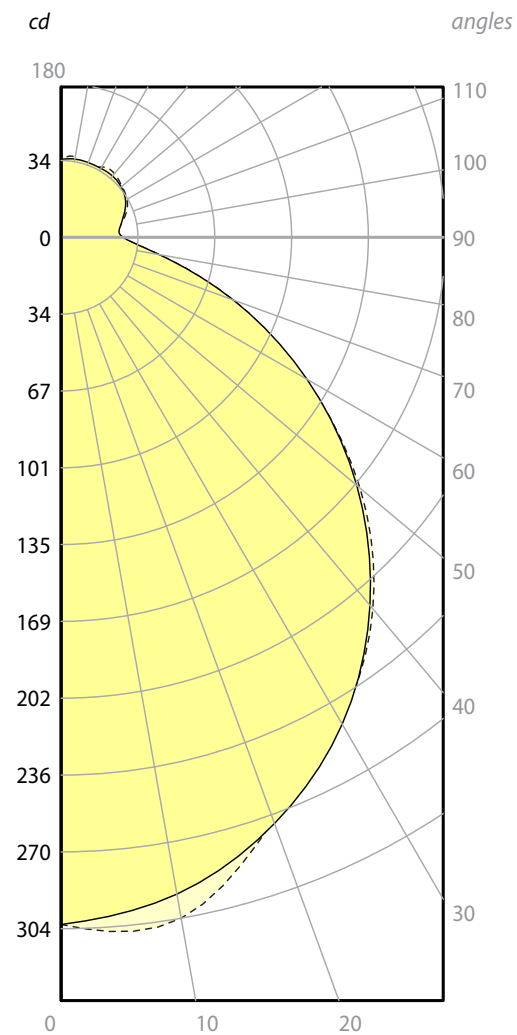
Luminous dimensions

Luminous shape:	Rectangle
Units:	in (mm)
0-180 Axis:	14.4(365.76)
90-270 Axis:	14.4(365.76)
Height:	3.6 (91.44)

Luminaire spacing criteria

2 luminaires, plane 0:	1.20
2 luminaires, plane 90:	1.21
4 luminaires:	1.33

*System wattage include driver and LED module consumption



4X04B-LED.24

CCT (K):	4000
Delivered Lumens (lm):	2547
System wattage (W)*:	29.6
Distribution:	Direct
Delivered Efficacy (lm/W):	86
Photometric type	C

Luminous dimensions

Luminous shape:	Rectangle
Units:	in (mm)
0-180 Axis:	21.6 (548.64)
90-270 Axis:	21.6 (548.64)
Height:	3.6 (91.44)

Luminaire spacing criteria

2 luminaires, plane 0:	1.19
2 luminaires, plane 90:	1.20
4 luminaires:	1.33

*System wattage include driver and LED module consumption

